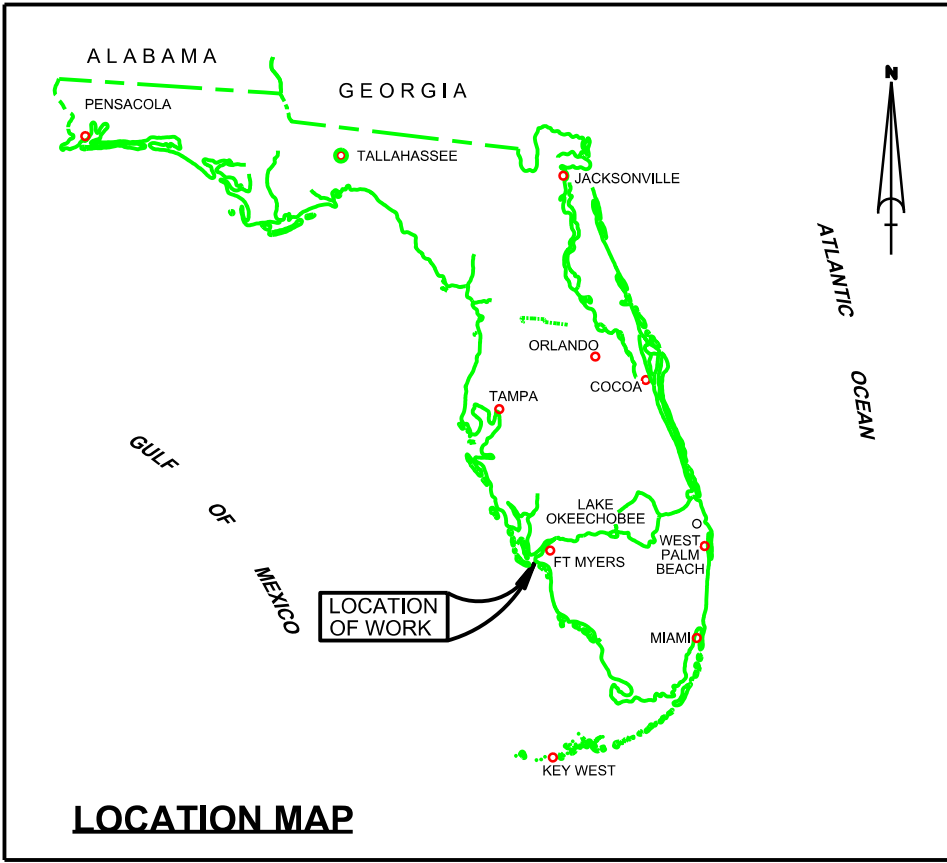


SHEET INDEX



FORT MYERS BEACH HARBOR LEE COUNTY, FLORIDA OCT HYDRO EXAM SURVEY FY22 11 & 12-FOOT PROJECT

SURVEY NOTES

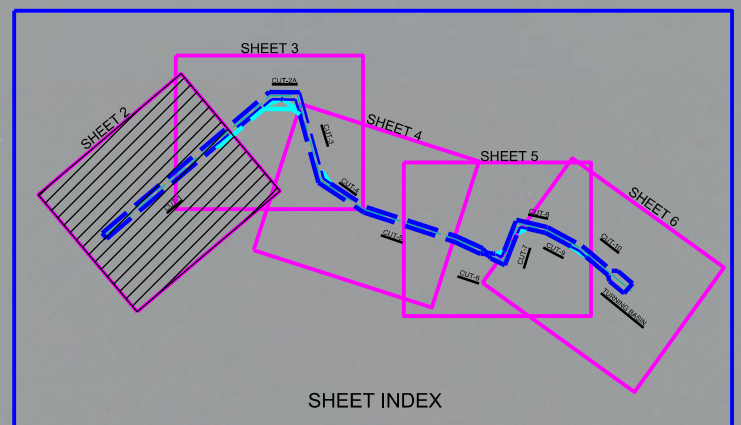
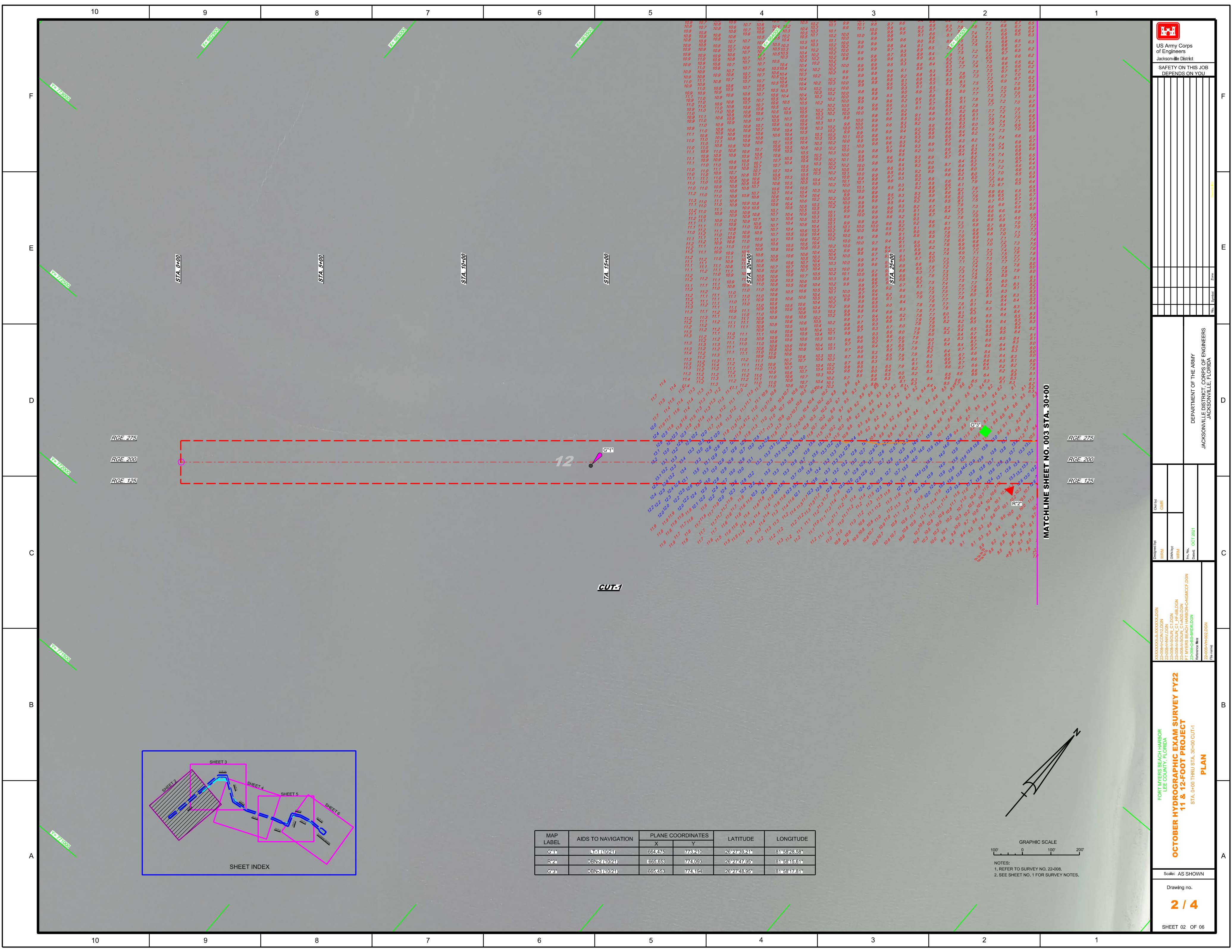
- REFER TO SURVEY NO. 22-008.
- DEPTHS DEPICTED BY THIS SURVEY ARE REFERENCED TO MEAN LOWER LOW WATER (MLLW) OF THE 1983-2001 TIDAL EPOCH, AS REPORTED BY THE NATIONAL OCEANIC AND ATMOSPHERIC ADMINISTRATION (NOAA). NOAA'S VDATUM MODEL WAS USED AND CALIBRATED TO THE PUBLISHED MLLW HEIGHT OF THE BENCHMARK ASSOCIATED WITH THE TIDE GAGE SITE SPECIFIED BELOW:
NOAA TIDAL STATION 872-5366 (PID: AD1372) FOR ALL CUTS.
- TIDAL REDUCTIONS WERE OBTAINED UTILIZING A REAL-TIME KINEMATIC (RTK) GPS AND REFERENCED TO MLLW UTILIZING A HYPACK KINEMATIC TIDE DATUM (KTD) MODEL. KTD FILE NAME IS: "SPC-FL-WEST-2010-12-07.KTD".
- ALL ELEVATIONS ARE BELOW THE CHART DATUM UNLESS PRECEDED BY A (+) SIGN.
- PLANE COORDINATES ARE BASED ON THE TRANSVERSE MERCATOR PROJECTION FOR THE WEST ZONE OF FLORIDA AND REFERENCED TO NORTH AMERICAN DATUM OF 1983 (NAD83).
- ALL STATIONING REFERS TO THE CENTERLINE OF THE CHANNEL.
- THIS SURVEY WAS PERFORMED USING REAL-TIME KINEMATIC (RTK) GPS POSITIONING WITH THE FOLLOWING REFERENCE BASE LOCATIONS:
REFERENCE BASE LOCATED AT "STALEY" (PID: BBCJ30)
TIDE STAFF SET FROM "872 5366 TIDAL 2" (PID: AD1372)
VERTICAL MEASUREMENTS WERE MADE USING A RESON T-20 MULTI-BEAM ECHO SOUNDER OPERATING AT 240 KHZ AND A ROSS MODEL 835 SINGLE-BEAM ECHOSOUNDER OPERATING AT 28200 KHZ. ALL SOUNDINGS SHOWN ARE IN HIGH FREQUENCY.
VESSEL DATE OF SURVEY CUT
SB-52 20-21 OCT 2021 CUTS 1 & 2A, EXTRA DATA NORTH OF CUT-1
- AIDS TO NAVIGATION WERE LOCATED DURING THIS SURVEY.
- THE INFORMATION DEPICTED ON THIS MAP REPRESENTS THE RESULTS OF SURVEYS MADE ON THE DATES INDICATED ABOVE AND CAN ONLY BE CONSIDERED AS INDICATING THE GENERAL CONDITIONS AT THAT TIME. THIS CHART IS SOLELY FOR THE DISTRIBUTION OF AVAILABLE DEPTHS AT THE TIME OF THE SURVEY.
- SURVEY ACCURACY PERFORMANCE STANDARDS, QUALITY CONTROL, AND QUALITY ASSURANCE REQUIREMENTS WERE FOLLOWED DURING THIS SURVEY IN ACCORDANCE WITH USACE EM 1110-2-1003, HYDROGRAPHIC SURVEYING, 30 NOV 2013.

LEGEND	
	MONUMENT
	LIGHTED BEACON
	GREEN DAYBEACON
	RED DAYBEACON
	RED LIGHTED BUOY
	GREEN LIGHTED BUOY
	CAN BUOY
	NUN BUOY
	TIDE STAFF
	PROJECT DEPTH

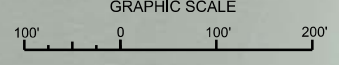
US Army Corps of Engineers
 Jacksonville District
 SAFETY ON THIS JOB
 DEPENDS ON YOU

Checked by:	GHM
Designed by:	WRM
Drawn by:	WRM
File No.:	22-008-11-01
Date:	OCT 2021

FORT MYERS BEACH HARBOR
 LEE COUNTY, FLORIDA
**OCTOBER HYDROGRAPHIC EXAM SURVEY FY22
 11 & 12-FOOT PROJECT**
 INDEX, LOCATION AND VICINITY
MAP



MAP LABEL	AIDS TO NAVIGATION	PLANE COORDINATES		LATITUDE	LONGITUDE
		X	Y		
G11	DBN-1(1024)	664276	778240	28°27'39.24"	81°58'28.58"
R22	DBN-2(1024)	665658	774098	28°27'47.95"	81°58'15.61"
G3*	DBN-3(1024)	665453	774194	28°27'48.95"	81°58'17.81"



NOTES:
 1. REFER TO SURVEY NO. 22-008.
 2. SEE SHEET NO. 1 FOR SURVEY NOTES.

US Army Corps of Engineers
 Jacksonville District
**SAFETY ON THIS JOB
 DEPENDS ON YOU**

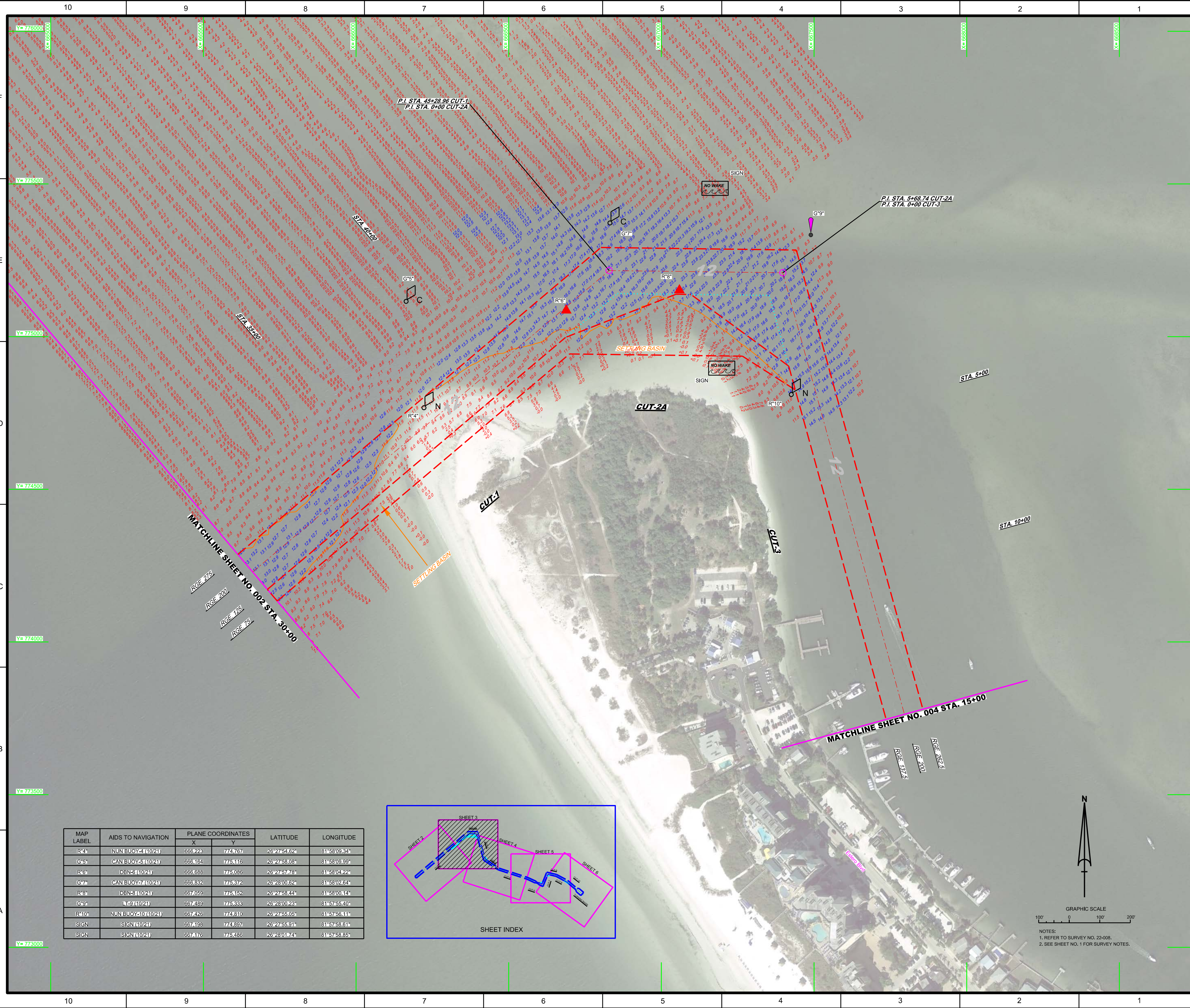
DEPARTMENT OF THE ARMY
 JACKSONVILLE DISTRICT, CORPS OF ENGINEERS
 JACKSONVILLE, FLORIDA

DESIGNED BY: WRM
 CHECKED BY: GHR
 DATE: OCT 2021

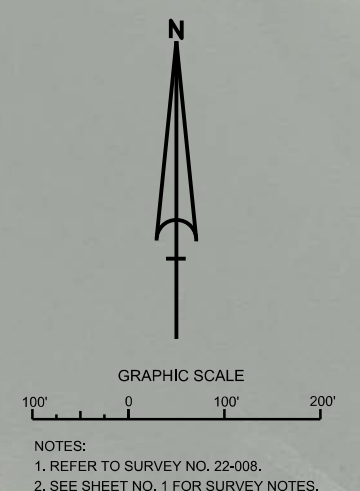
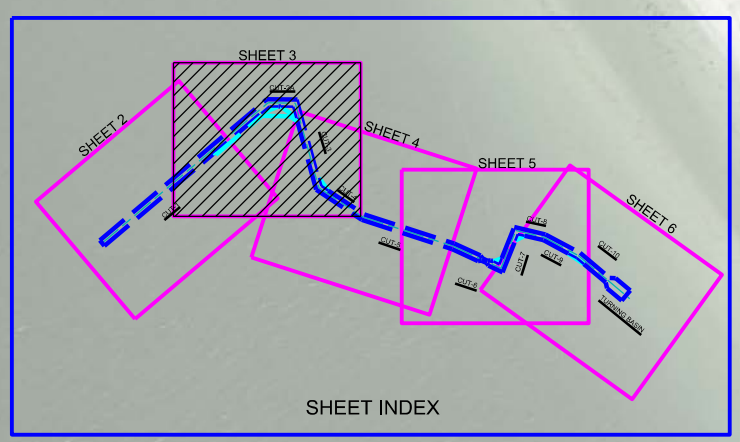
XXXXXXXXXXXXXXXXXXXX
 22-008-A-CONTR-01.DGN
 22-008-A-SUBA-01.DGN
 22-008-A-SUBA-01_HF-58.DGN
 FT MYERS BEACH HARBOUR-CONVOY.DGN
 22-008-ES-BRID-01.DGN
 Reference File: 22-008-A-HAR-01.DGN
 File Name:

OCTOBER HYDROGRAPHIC EXAM SURVEY FY22
11 & 12-FOOT PROJECT
 STA. 0+00 THRU STA. 30+00 CUT-1
PLAN

Scale: AS SHOWN
 Drawing no.
2 / 4
 SHEET 02 OF 06



MAP LABEL	AIDS TO NAVIGATION	PLANE COORDINATES		LATITUDE	LONGITUDE
		X	Y		
R4*	NUN BUOY-4 (10/21)	666,223	774,767	28°27'54.62"	81°58'09.34"
G9*	CAN BUOY-5 (10/21)	666,164	775,116	28°27'53.03"	81°58'09.59"
R6*	DBN-6 (10/21)	666,688	775,086	28°27'57.76"	81°58'04.22"
G7*	CAN BUOY-7 (10/21)	666,832	775,372	28°28'00.62"	81°58'02.64"
R8*	DBN-8 (10/21)	667,059	775,152	28°27'53.44"	81°58'00.14"
G9*	LE-9 (10/21)	667,489	775,333	28°28'00.23"	81°57'55.40"
R10*	NUN BUOY-10 (10/21)	667,426	774,810	28°27'55.05"	81°57'55.11"
SIGN	SIGN (10/21)	667,196	774,897	28°27'55.91"	81°57'58.61"
SIGN	SIGN (10/21)	667,176	775,486	28°28'01.74"	81°57'58.85"



NOTES:
1. REFER TO SURVEY NO. 22-008.
2. SEE SHEET NO. 1 FOR SURVEY NOTES.



US Army Corps of Engineers
Jacksonville District

SAFETY ON THIS JOB
DEPENDS ON YOU

DEPARTMENT OF THE ARMY
JACKSONVILLE DISTRICT, CORPS OF ENGINEERS
JACKSONVILLE, FLORIDA

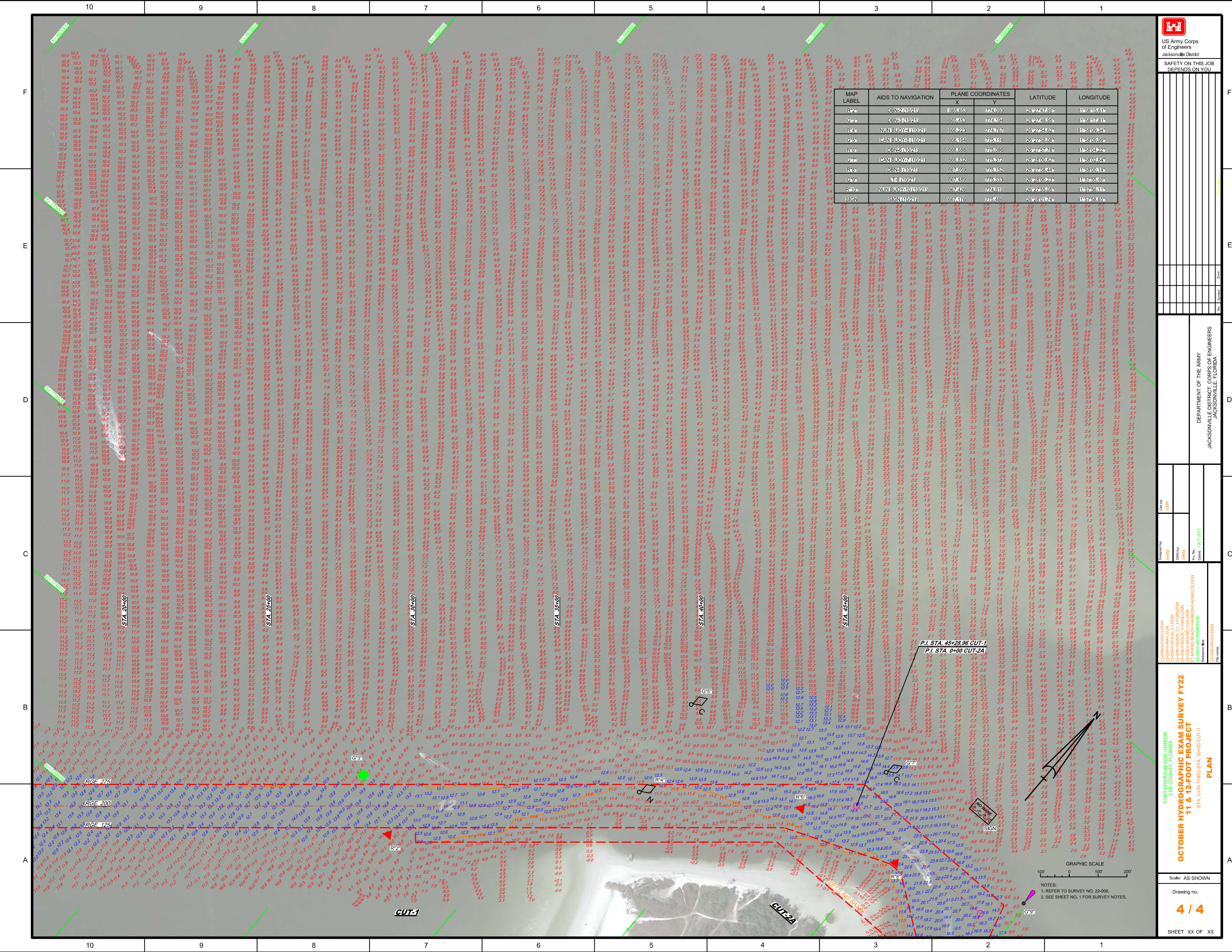
Scale: AS SHOWN

Drawing No.

4 / 4

SHEET XX OF XX

MAP LABEL	AIDS TO NAVIGATION	PLANE COORDINATES		LATITUDE	LONGITUDE
		X	Y		
R2	DBN-2(10/21)	665,653	174,093	26 27 49.95	81 58 15.61
G5	DBN-5(10/21)	665,453	174,194	26 27 48.95	81 58 18.31
R4	NUN BUOY-4(10/21)	666,223	174,767	26 27 54.62	81 58 09.34
G6	CAN BUOY-6(10/21)	666,164	175,116	26 27 55.08	81 58 09.99
R6	DBN-6(10/21)	666,888	175,086	26 27 57.67	81 58 04.22
G7	CAN BUOY-7(10/21)	666,832	175,312	26 28 00.62	81 58 02.64
R8	CAN BUOY-8(10/21)	667,059	175,152	26 27 58.44	81 58 00.14
G9	LRN BUOY-9(10/21)	667,465	175,833	26 28 00.23	81 57 55.40
R10	NUN BUOY-10(10/21)	667,426	174,810	26 27 55.05	81 57 56.11
SIGN	SIGN(10/21)	667,176	175,486	26 28 01.74	81 57 58.85



P.I. STA. 45+28.96 CUT-1
P.I. STA. 0+00 CUT-2A

Scale: AS SHOWN

Drawing No.

4 / 4

SHEET XX OF XX